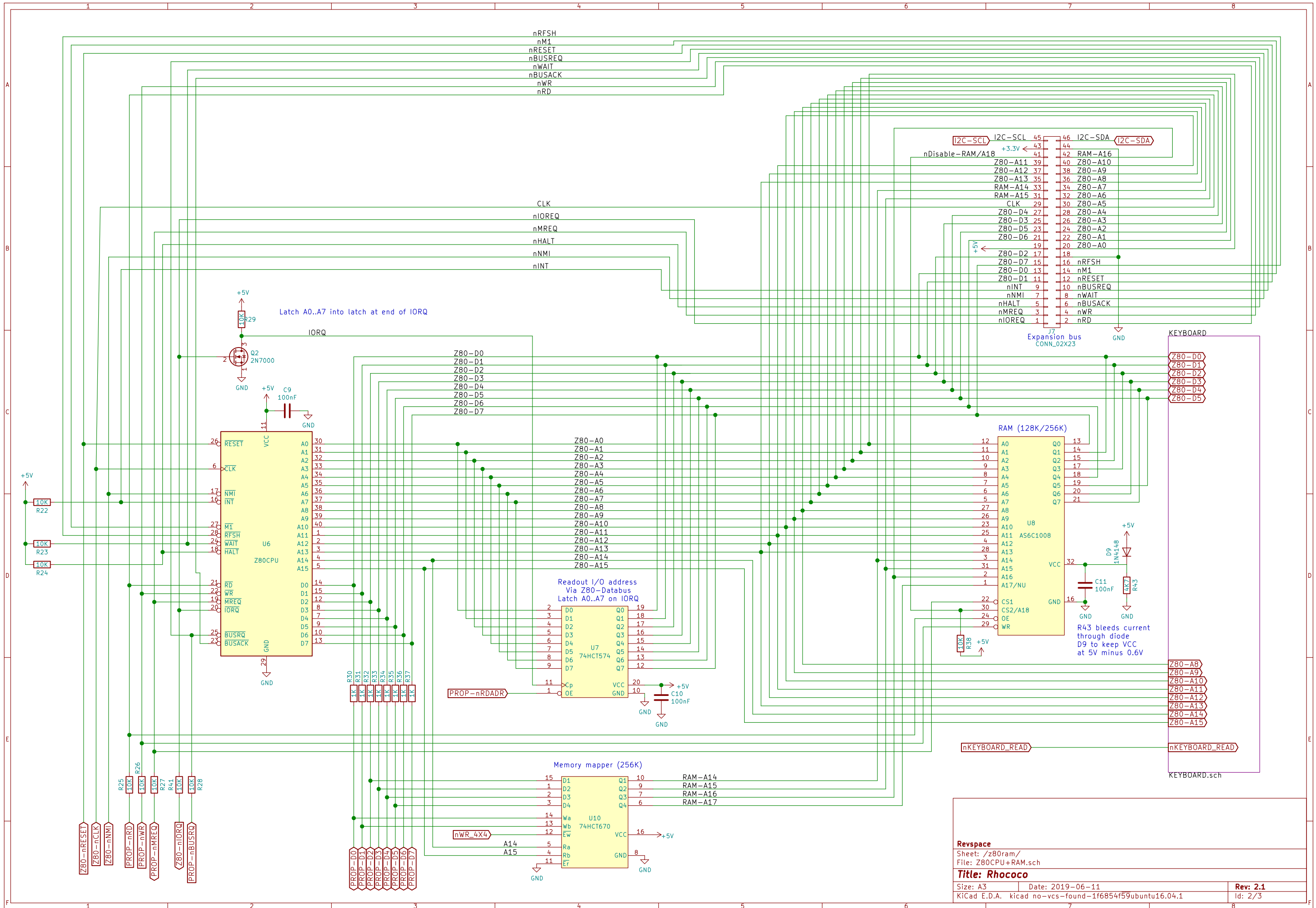


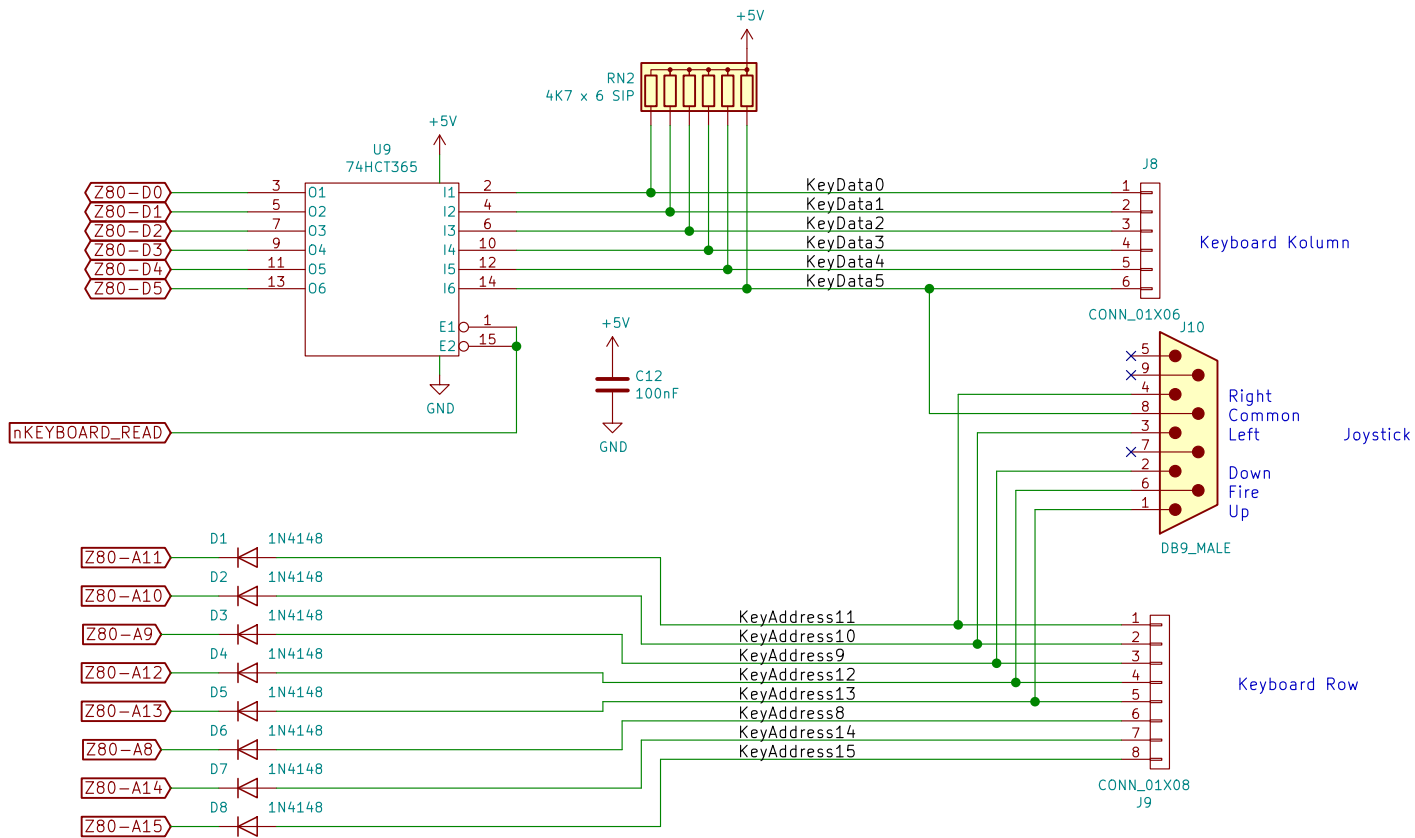
Bleed resistor, bleeds away current flowing into Propeller GPIO pins, before the propeller boots and starts consuming current

Debug LED (optional)

To optional TTL-232R-3V3 FTDI USB to serial cable adapter

RevelationSpace		
Sheet: /		
File: RHOCOCO.sch		
Title: RHOCOCO Retro Home Color Computer		
Size: A3	Date: 2019-06-11	Rev: 2.1
KiCad E.D.A. kicad no-vcs-found-1f6854f59ubuntu16.04.1		Id: 1/3





Revspace

Sheet: /z80ram/KEYBOARD/
File: KEYBOARD.sch

Title: Rhococo

Size: A4 Date: 2019-06-11
KiCad E.D.A. kicad no-vcs-found-1f6854f59ubuntu16.04.1

Rev: 2.1
Id: 3/3