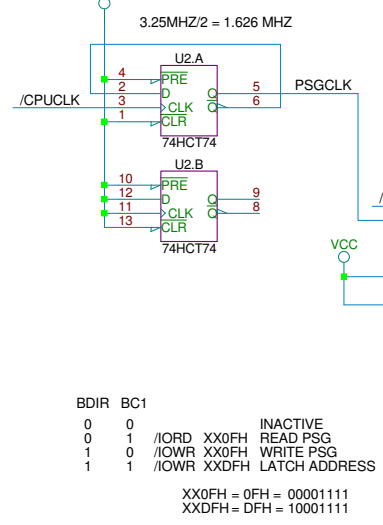
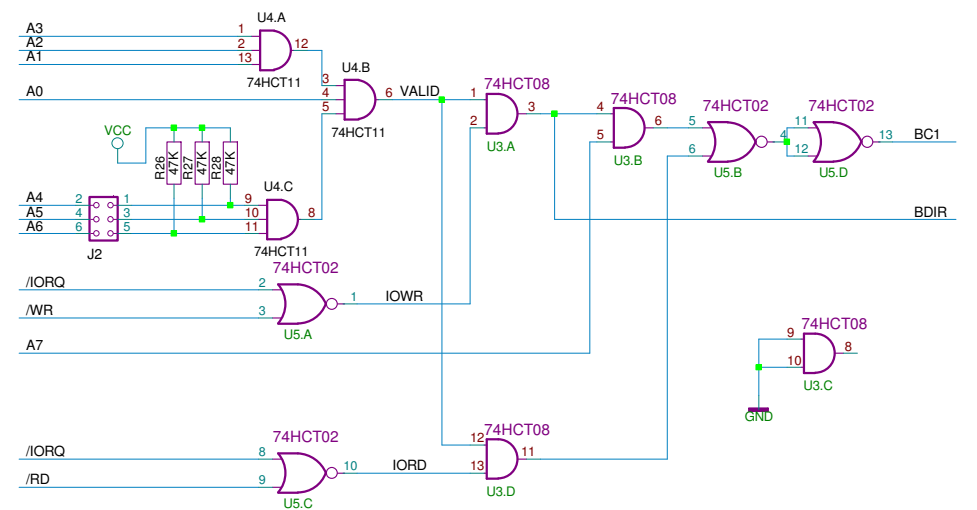
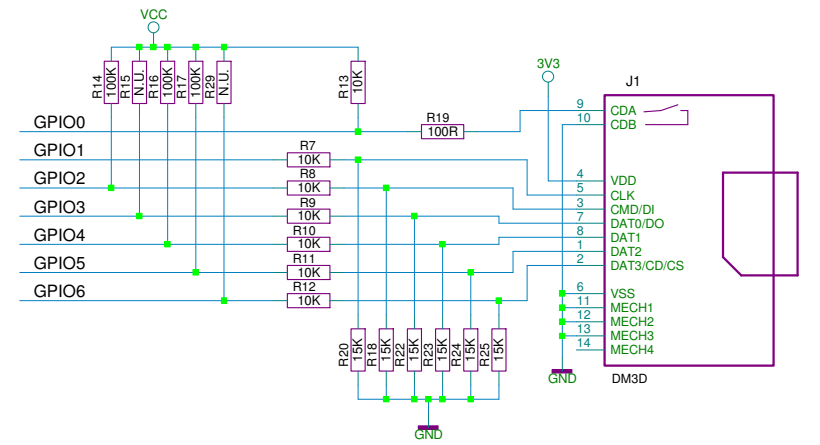
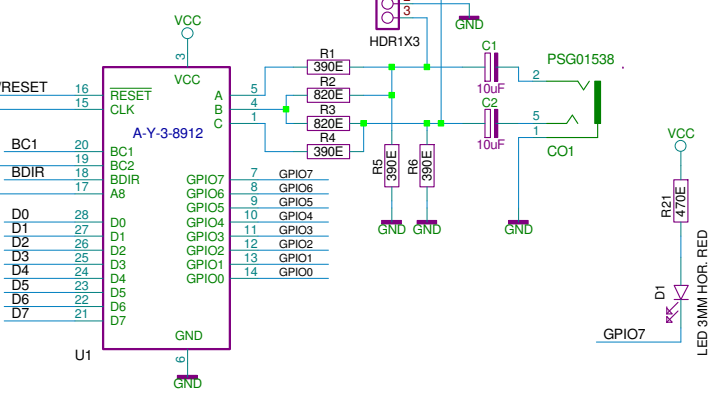


ALL ADDRESS LINES EXCEPT A7 ARE USED AS ACTIVE LOW CHIP SELECTS.
 ALL OF A0 TO A3 MUST BE INACTIVE (HIGH) FOR THE PSG TO BE ADDRESSED.
 ADDITIONALLY ANY OF A4, A5 AND A6, CAN BE ENABLED TO ALSO DISABLE THE PSG WHEN THESE ARE LOW.



INTERCONNECT BETWEEN TWO PSG BOARDS FOR SIX CHANNEL SOUND



IN CASE YOU NEED TO USE THE PSG WITH ANOTHER DEVICE THAT USES ANY OF THE A4, A5 OR A6 LINES AS CHIP SELECT, PLACE JUMPERS ON J2 TO DISABLE THE PSG FOR A HIGH ON THOSE ADDRESS LINES
 TO USE TWO (OR THREE) PSG BOARDS PLACE ONE (OR TWO FOR THREE PSG'S) ON J2, EACH BOARD IN A DIFFERENT CONFIGURATION.
 FOR EXAMPLE, ON THE PRIMARY BOARD ONLY PLACE A JUMPER BETWEEN PINS 3 AND 4, AND ON THE SECONDARY BOARD PLACE A JUMPER BETWEEN PIN 1 AND 2.



REV: 2.1	DATE: 22/11/2019	ENG: MAHJONGG
PROJECT: SOUND EXPANSION BOARD		
COMPANY: REVSPACE		
ADDRESS: SPOORLAAN 5D, 2495AL		
CITY: DEN HAAG		
COUNTRY: NETHERLANDS		
INITIAL	1/5/2015	PAGE: 1 OF: 1