

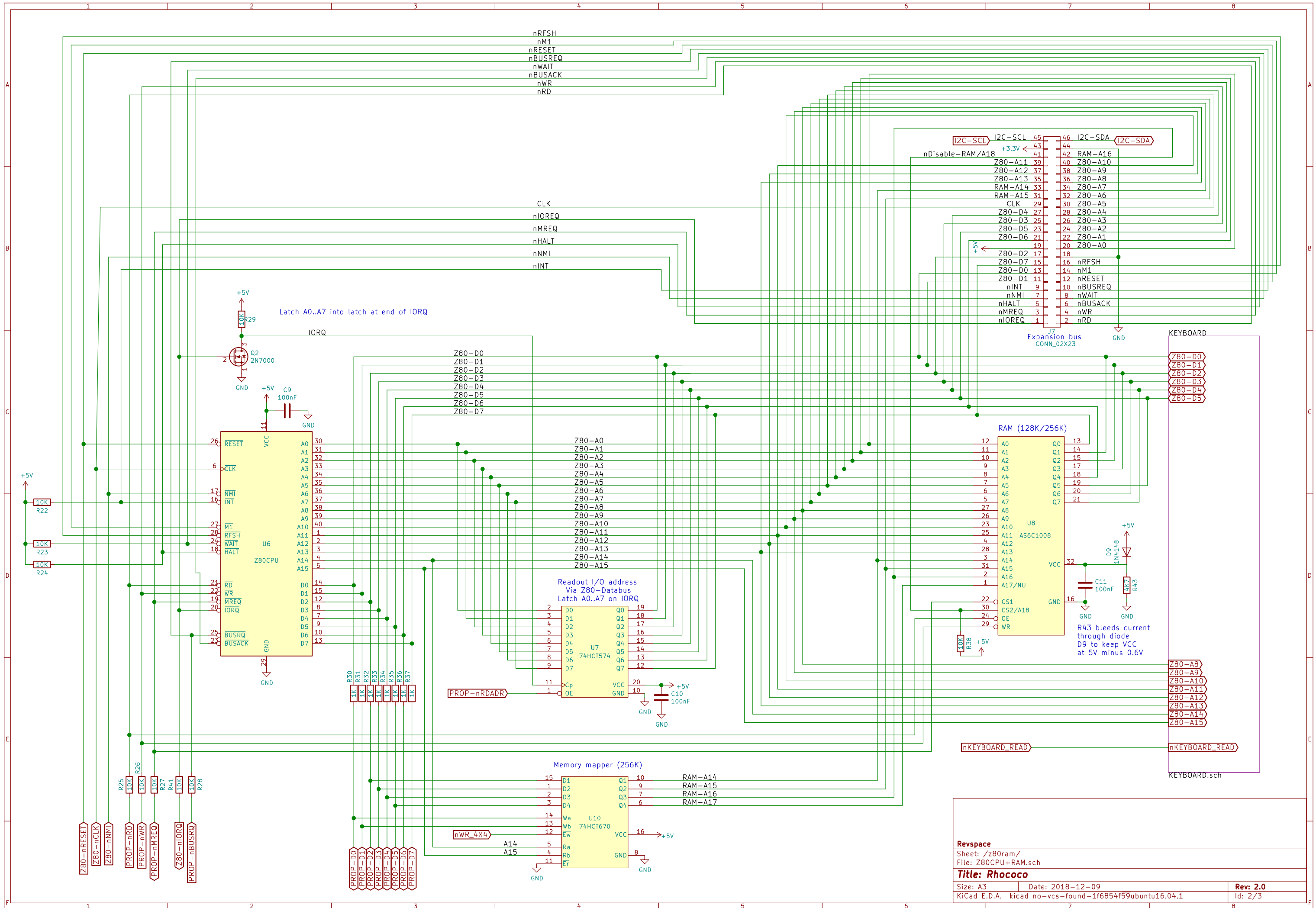
Bleed resistor, bleeds away current flowing into Propeller GPIO pins, before the propeller boots and starts consuming current

Debug LED (optional)

To optional TTL-232R-3V3 FTDI USB to serial cable adapter

To Optional Reset Button

RevelationSpace		
Sheet: /		
File: RHOCOCO.sch		
Title: RHOCOCO Retro Home Color Computer		
Size: A3	Date: 2018-12-09	Rev: 2.0
KiCad E.D.A. kicad no-vcs-found-1f6854f59ubuntu16.04.1		Id: 1/3



I2C-SCL	I2C-SCL	45	46	I2C-SDA	I2C-SDA
nDisable-RAM/A18	+3.3V	43	44		
Z80-A11		39	42	RAM-A16	
Z80-A12		37	40	Z80-A10	
Z80-A13		35	38	Z80-A9	
RAM-A14		33	36	Z80-A8	
RAM-A15		31	34	Z80-A7	
CLK		29	32	Z80-A6	
Z80-D4		27	30	Z80-A5	
Z80-D3		25	28	Z80-A4	
Z80-D5		23	26	Z80-A3	
Z80-D6		21	24	Z80-A2	
Z80-D1		11	22	Z80-A1	
nINT		9	19	Z80-A0	
nNMI		7	18	Z80-D2	
nHALT		5	16	nRFSH	
nMREQ		3	14	nM1	
nIOWR		1	12	nRESET	
			10	nBUSREQ	
			8	nWAIT	
			6	nBUSACK	
			4	nWR	
			2	nRD	

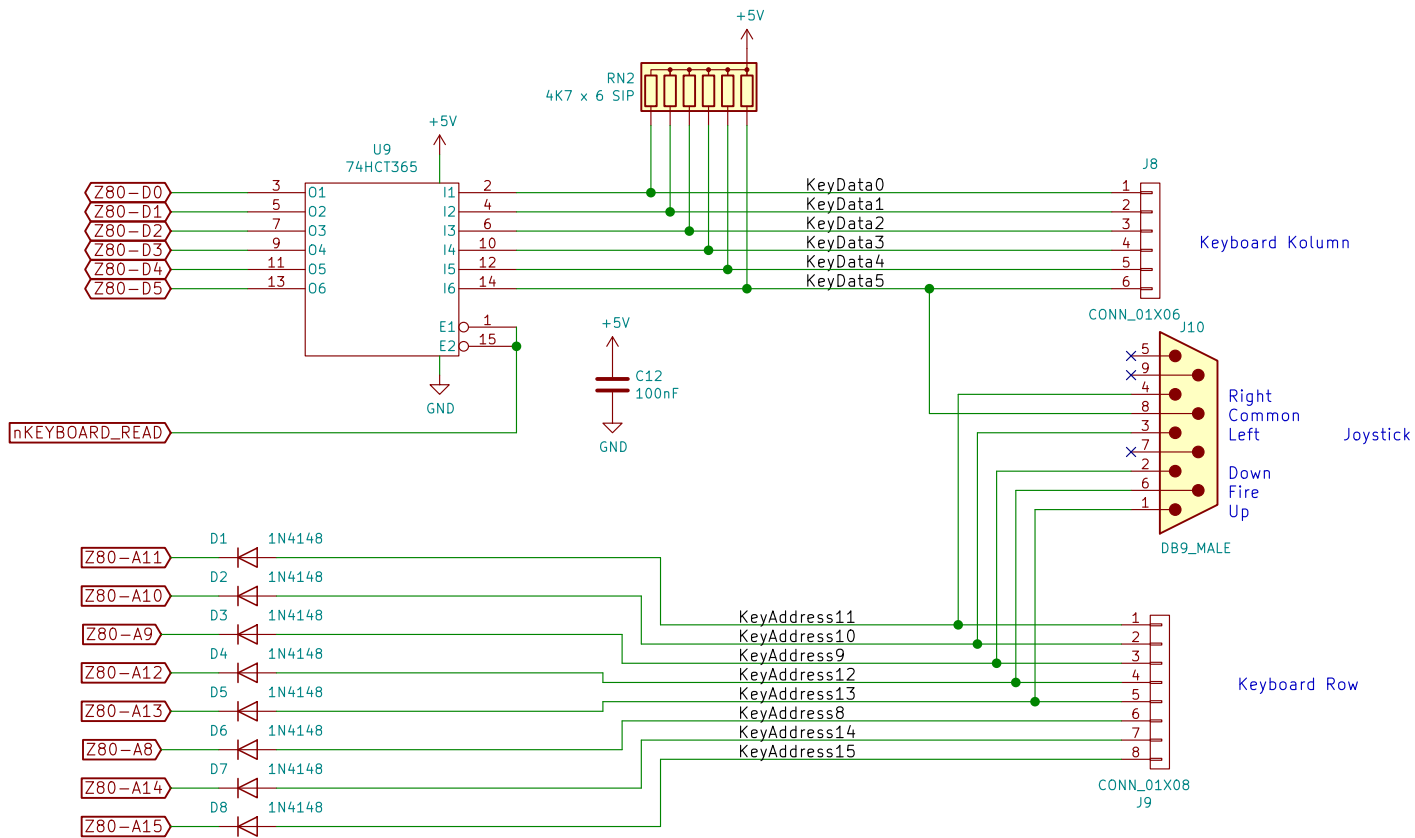
Z80-D0	Z80-D0
Z80-D1	Z80-D1
Z80-D2	Z80-D2
Z80-D3	Z80-D3
Z80-D4	Z80-D4
Z80-D5	Z80-D5

Z80-A0	Z80-A0
Z80-A1	Z80-A1
Z80-A2	Z80-A2
Z80-A3	Z80-A3
Z80-A4	Z80-A4
Z80-A5	Z80-A5
Z80-A6	Z80-A6
Z80-A7	Z80-A7
Z80-A8	Z80-A8
Z80-A9	Z80-A9
Z80-A10	Z80-A10
Z80-A11	Z80-A11
Z80-A12	Z80-A12
Z80-A13	Z80-A13
Z80-A14	Z80-A14
Z80-A15	Z80-A15

Z80-A8	Z80-A8
Z80-A9	Z80-A9
Z80-A10	Z80-A10
Z80-A11	Z80-A11
Z80-A12	Z80-A12
Z80-A13	Z80-A13
Z80-A14	Z80-A14
Z80-A15	Z80-A15

nKEYBOARD_READ	nKEYBOARD_READ
----------------	----------------

KEYBOARD.sch



Revspace

Sheet: /z80ram/KEYBOARD/
File: KEYBOARD.sch

Title: Rhococo

Size: A4 Date: 2018-12-09
KiCad E.D.A. kicad no-vcs-found-1f6854f59ubuntu16.04.1

Rev: 2.0
Id: 3/3