

CONN_02X23

1	I2C-SCL	2	I2C-SDA
3		4	
5		6	
7	Z80-A11	8	Z80-A10
9	Z80-A12	10	Z80-A9
11	Z80-A13	12	Z80-A8
13	Z80-A14	14	Z80-A7
15	Z80-A15	16	Z80-A6
17	CLK	18	Z80-A5
19	Z80-D4	20	Z80-A4
21	Z80-D3	22	Z80-A3
23	Z80-D5	24	Z80-A2
25	Z80-D6	26	Z80-A1
27		28	Z80-A0
29	Z80-D2	30	
31	Z80-D7	32	nRFSH
33	Z80-D0	34	nM1
35	Z80-D1	36	nRESET
37	nINT	38	nBUSREQ
39	nNMI	40	nWAIT
41	nHALT	42	nBUSACK
43	nMREQ	44	nWR
45	nIOREQ	46	nRD

KEYBOARD

Z80-D0
Z80-D1
Z80-D2
Z80-D3
Z80-D4
Z80-D5

RAM (128K)

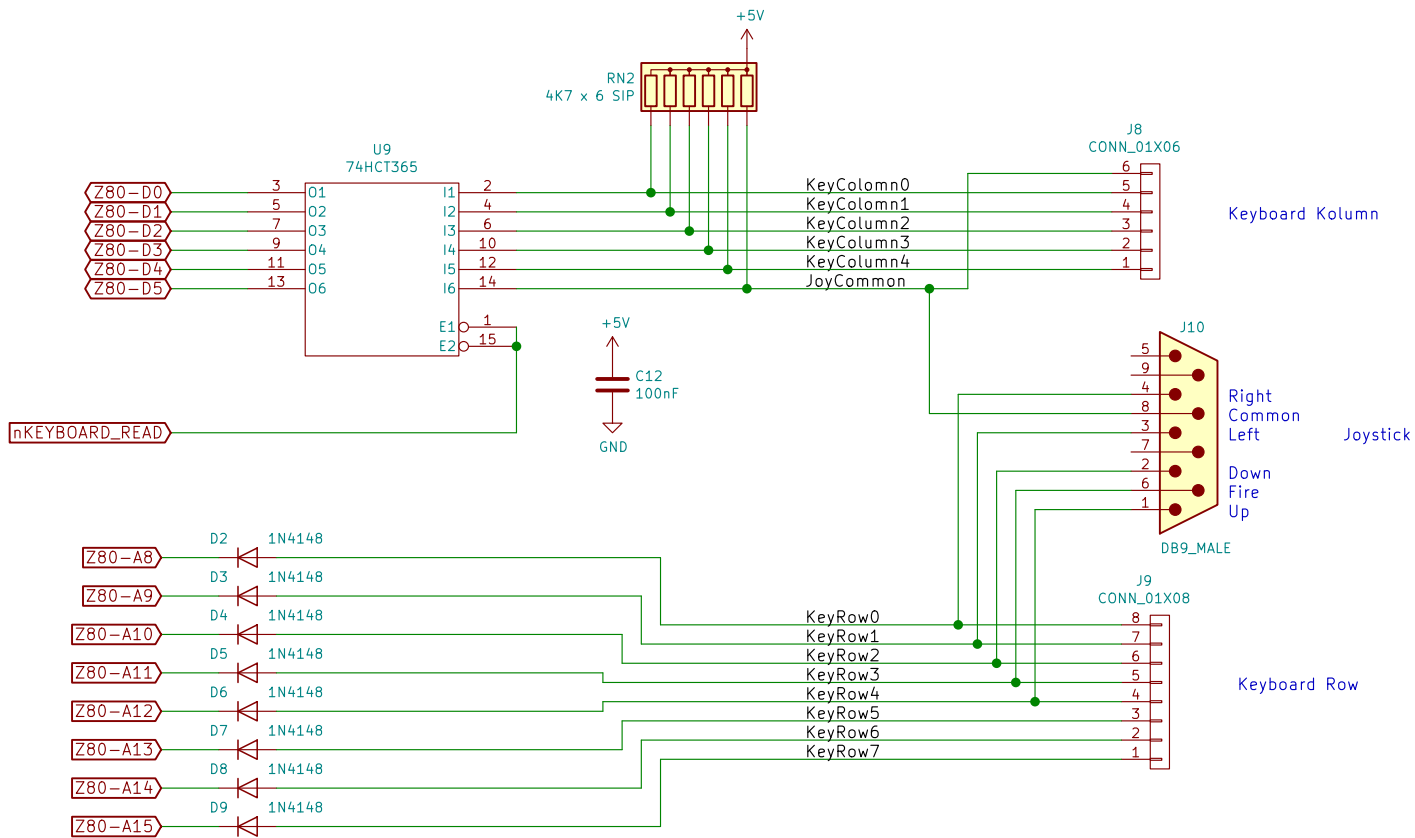
A0	Q0
A1	Q1
A2	Q2
A3	Q3
A4	Q4
A5	Q5
A6	Q6
A7	Q7
A8	
A9	
A10	
A11	
A12	
A13	
A14	
A15	
A16	
CS1	
CS2	
OE	
WR	

Latch A0..A7 on IORQ
Readout I/O address
Via Z80-Databus

D0	Q0
D1	Q1
D2	Q2
D3	Q3
D4	Q4
D5	Q5
D6	Q6
D7	Q7
Cp	
OE	

KEYBOARD

Z80-A8
Z80-A9
Z80-A10
Z80-A11
Z80-A12
Z80-A13
Z80-A14
Z80-A15
nKEYBOARD_READ
KEYBOARD_READ



Sheet: /z80ram/KEYBOARD/
 File: KEYBOARD.sch

Title:		Rev:
Size: A4	Date:	
KiCad E.D.A. kicad no-vcs-found-1f6854f59ubuntu16.04.1		Id: 3/3