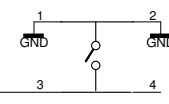
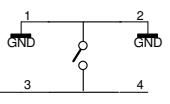


8 7 6 5 4 3 2 1

HOLE FOR MOUNTING FRONT PANEL

MH4

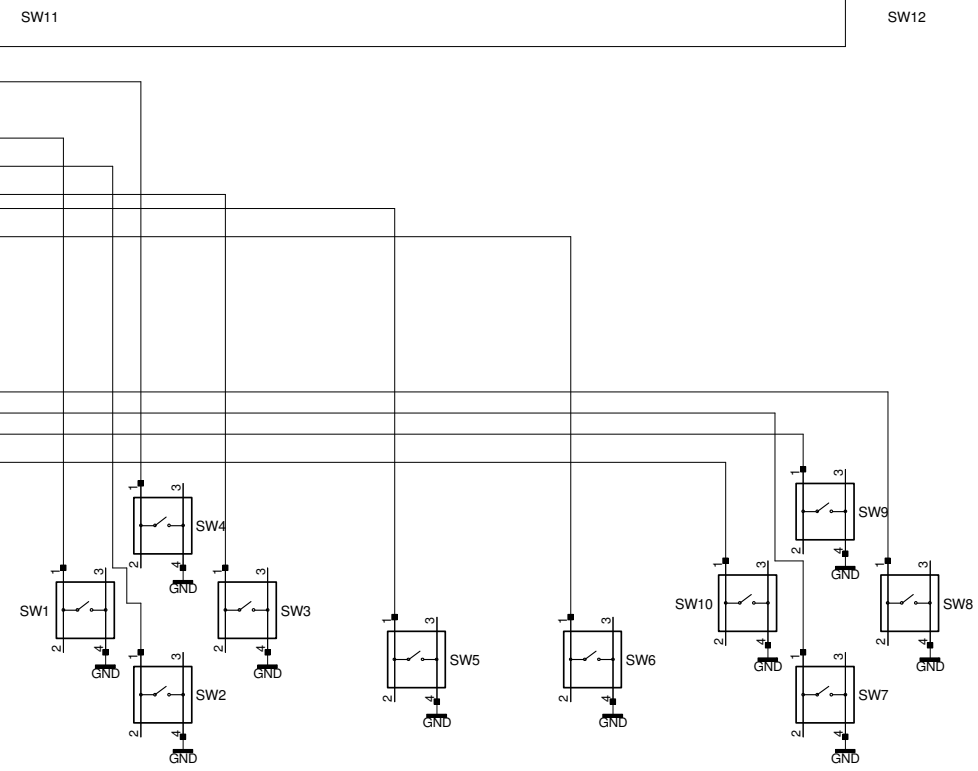


HOLE FOR PLASTIC SCREW POSTS

MH2

HOLE FOR MOUNTING FRONT PANEL

MH5

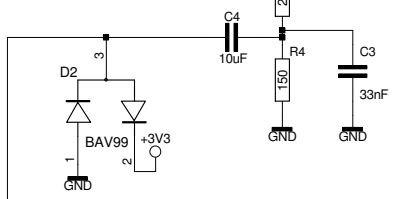
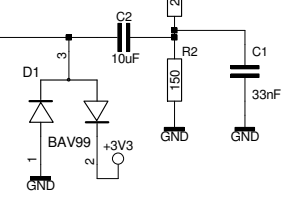


TO "CONSOLES" 6P6C CONNECTOR

J2

+5V

HDR1X6ZIGZAG



HOLE FOR MOUNTING FRONT PANEL

MH6

HOLE FOR PLASTIC SCREW POSTS

MH1

HOLE FOR MOUNTING FRONT PANEL

MH3

| | | |
|---------------------------------------|------------------|---------------------|
| REV: 1.0 | DATE: 14/02/2017 | ENG: M.C.J. DE JONG |
| PROJECT: JOYPAD EMULATOR WITH PI_ZERO | | |
| COMPANY: REVSPACE | | |
| ADDRESS: VLIETWEG 15 | | |
| CITY: LEIDSCHENDAM | | |
| COUNTRY: THE NETHERLANDS | | |
| INITIAL | 14/02/2017 | PAGE: 1 OF: 1 |

8 7 6 5 4 3 2 1