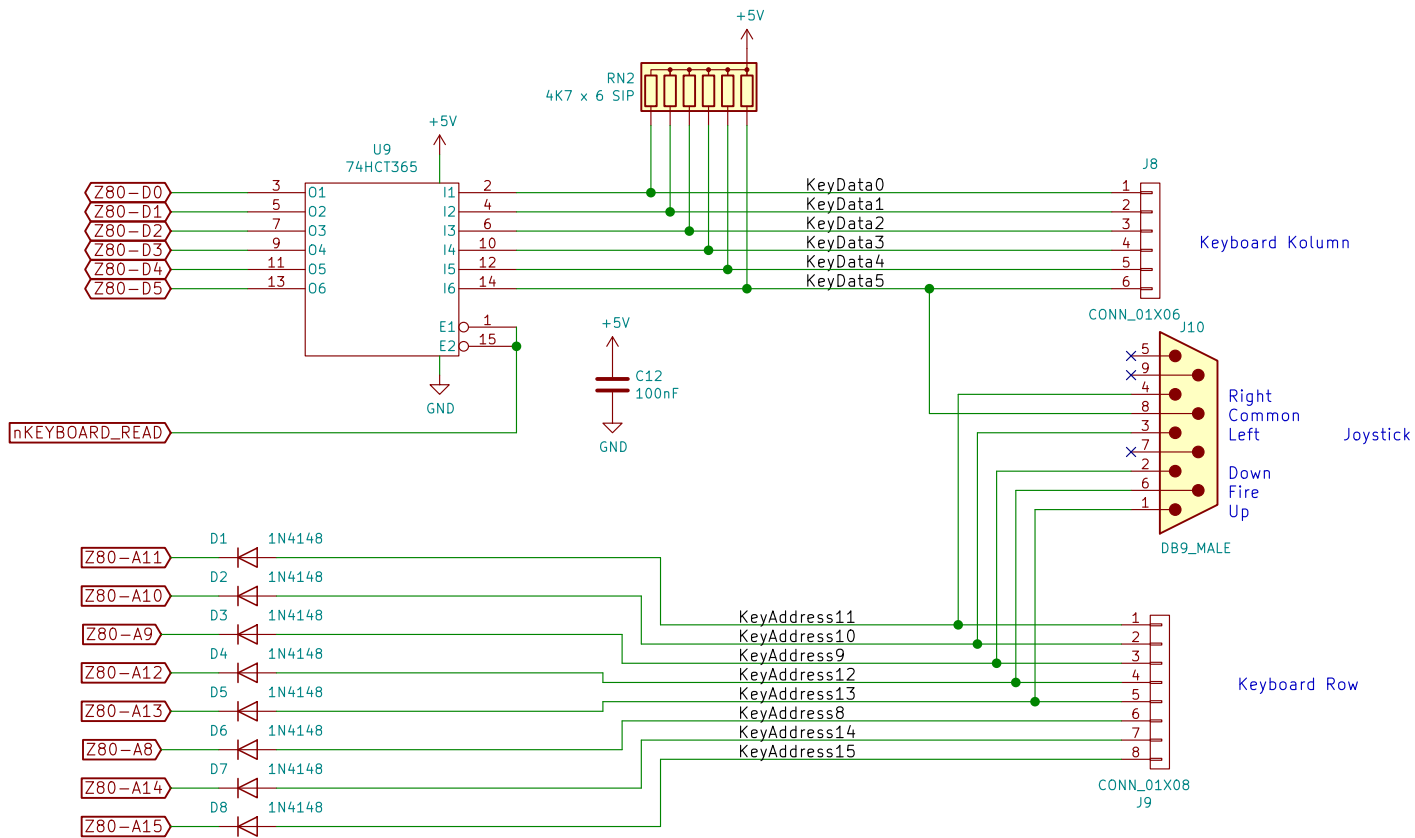


I2C-SCL	I2C-SCL	45	46	I2C-SDA	I2C-SDA
nDisable-RAM/A18	+3.3V	43	44		
Z80-A11		39	42	RAM-A16	
Z80-A12		37	40	Z80-A10	
Z80-A13		35	38	Z80-A9	
RAM-A14		33	36	Z80-A8	
RAM-A15		31	34	Z80-A7	
CLK		29	32	Z80-A6	
Z80-D4		27	30	Z80-A5	
Z80-D3		25	28	Z80-A4	
Z80-D5		23	26	Z80-A3	
Z80-D6		21	24	Z80-A2	
Z80-D1		11	22	Z80-A1	
Z80-D2		17	19	Z80-A0	
Z80-D7		15	18		
Z80-D0		13	16	nRFSH	
Z80-D1		11	14	nM1	
nINT		9	12	nRESET	
nNMI		7	10	nBUSREQ	
nHALT		5	8	nWAIT	
nMREQ		3	6	nBUSACK	
nIOREQ		1	4	nWR	
			2	nRD	

RAM (128K/256K)			
A0	Q0	12	13
A1	Q1	11	14
A2	Q2	10	15
A3	Q3	9	17
A4	Q4	8	18
A5	Q5	7	19
A6	Q6	6	20
A7	Q7	5	21
A8		27	
A9		26	
A10		23	
A11		25	
A12		4	
A13		28	
A14		3	
A15		31	
A16		2	
A17/NU		1	
CS1		22	
CS2/A18		30	
OE		24	
WR		29	



Revspace

Sheet: /z80ram/KEYBOARD/
 File: KEYBOARD.sch

Title: Rhococo

Size: A4 Date: 2018-12-09
 KiCad E.D.A. kicad no-vcs-found-1f6854f59ubuntu16.04.1

Rev: 1.8
 Id: 3/3