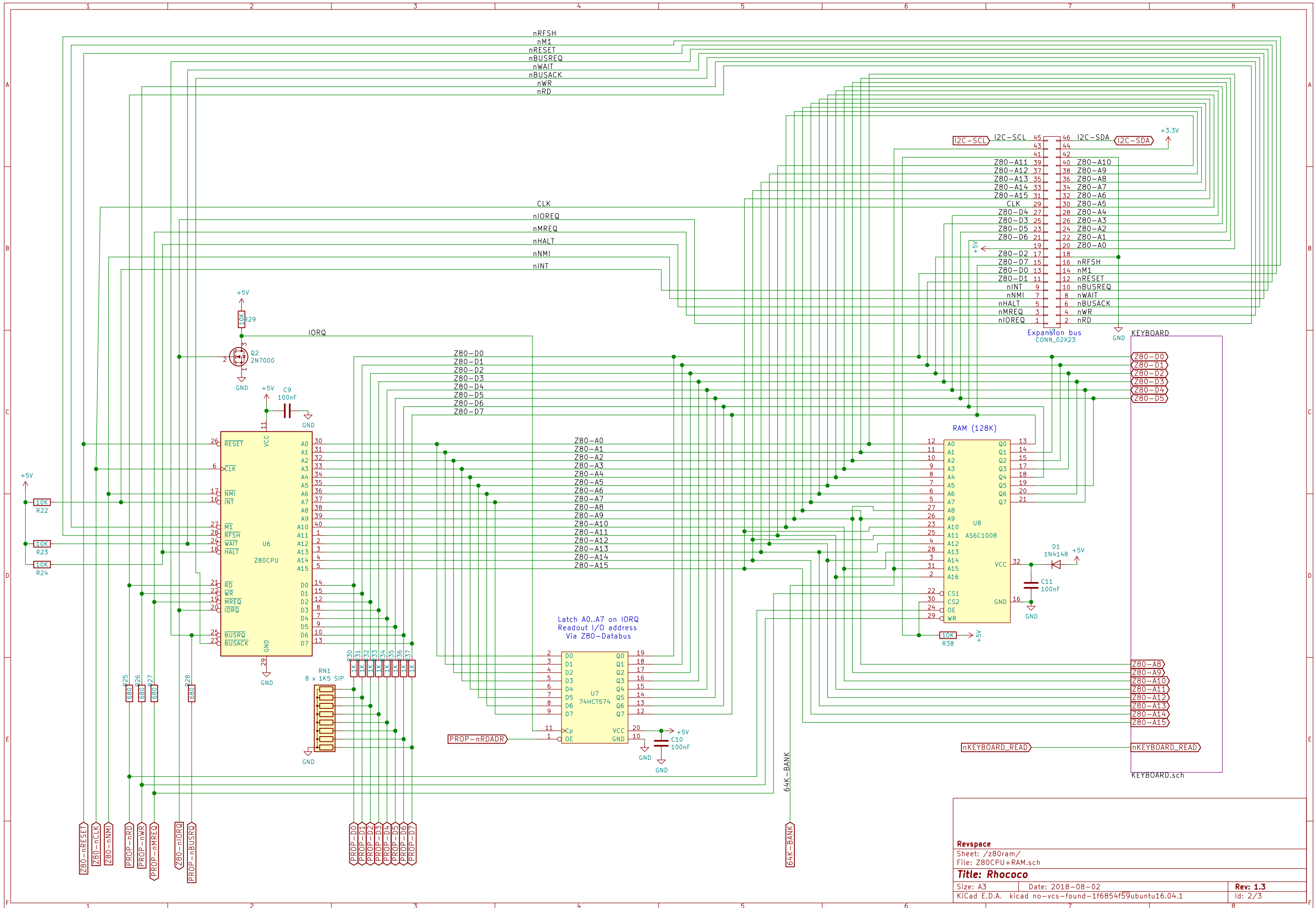
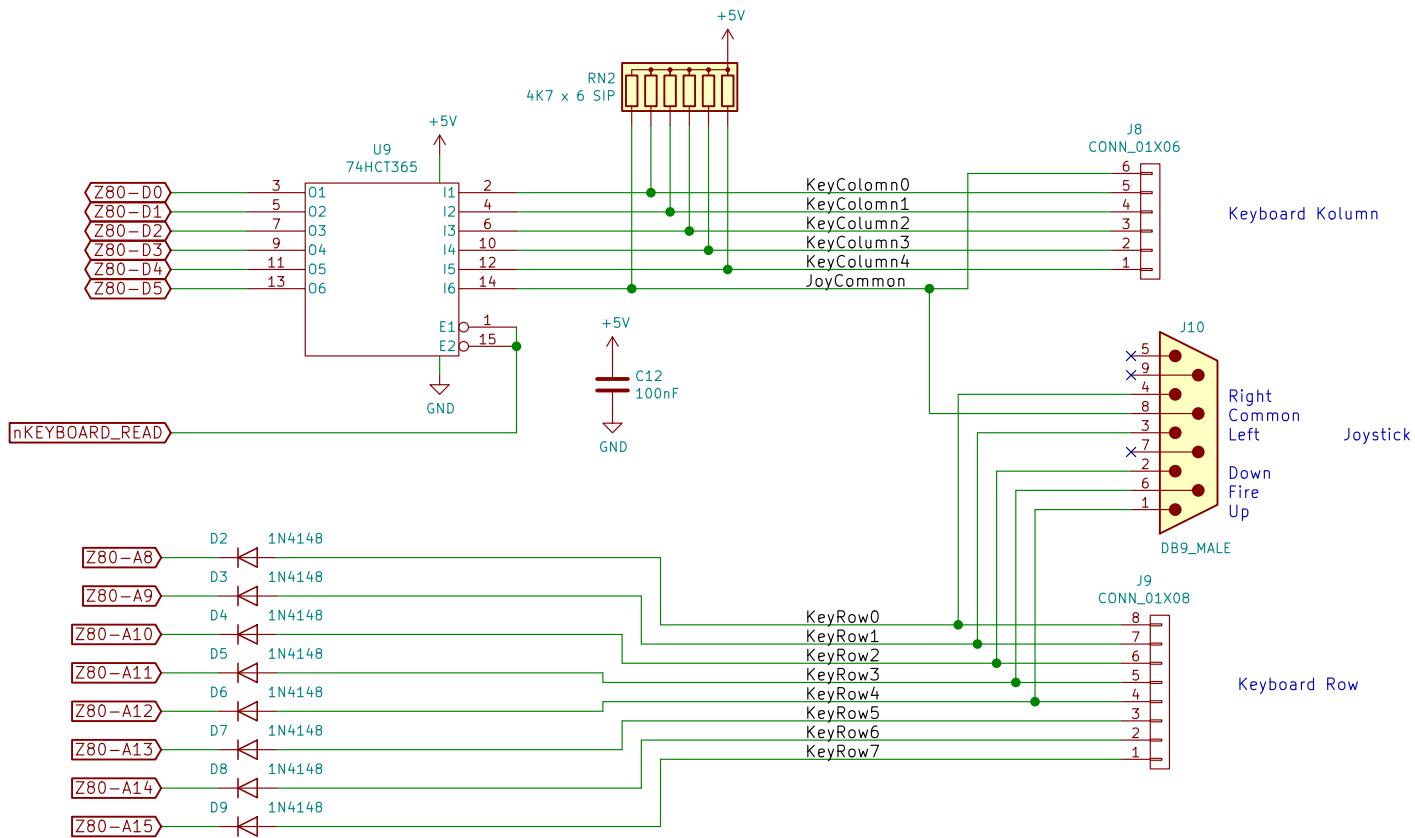


RevelationSpace		
Sheet: /		
File: RHOCOCO.sch		
<b>Title: RHOCOCO Retro Home Color Computer</b>		
Size: A3	Date: 2018-08-02	Rev: 1.3
KiCad E.D.A. kicad no-vcs-found-1f6854f59ubuntu16.04.1		Id: 1/3





**Revspace**

Sheet: /z80ram/KEYBOARD/  
 File: KEYBOARD.sch

**Title: Rhococo**

Size: A4 Date: 2018-08-02  
 KiCad E.D.A. kicad no-vcs-found-1f6854f59ubuntu16.04.1

Rev: 1.3  
 Id: 3/3